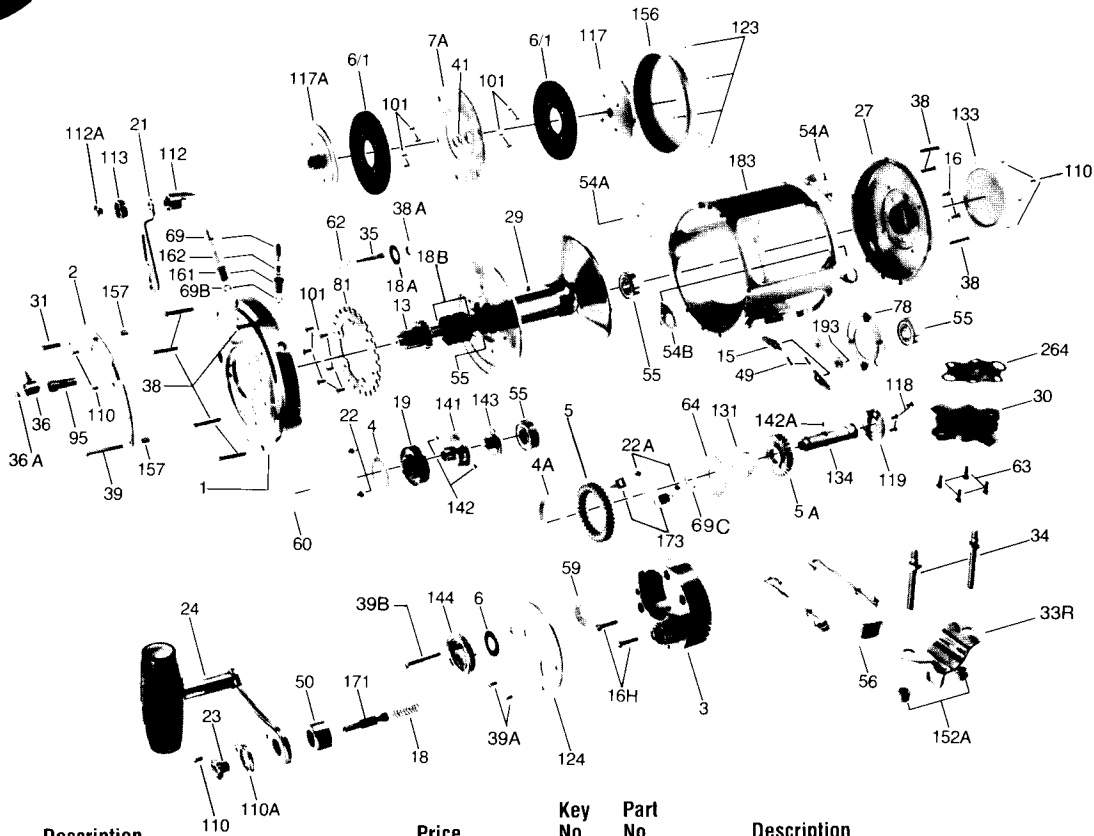




PARTS AND PRICE LIST FOR MODELS 80S AND 80SW



Key No.	Part No.	Description	Price	Key No.	Part No.	Description	Price
1	1-80S	Right-Side Plate Assembly	\$111.55	56	56C-116	Rod Brace	\$13.25
2	2-80	Quadrant Ring	8.30	59	59-50	Slotted Washer	.70
3	3-80S	Bridge	15.90	60	60-50	Backing Washer	.70
4	4-80	Cam Thrust Washer	.95	62	62-50	Click Spring	.70
4A	4-130	Thrust Washer	1.05	63	63-30T	Stand Screw	.70
5	5-80HS	High Main Gear	16.55	64	64-80S	Idler Gear	3.15
5A	5-80LS	Low Main Gear	13.95	69	69-50	Locating Pin	.95
6	6-155	Spacer Washer	.50	69B	69B-50	Retaining Clips (3)	.70
6/1	6-50	Drag Washers (2)	11.30	69C	69B-80S	Gear Stud Clip	2.95
7A	7A-80	Floating Drag Washer	11.50	78	78-80S	Dog Plate	8.35
13	13-80S	Pinion Gear	42.35	81	81-80S	Ratchet	5.75
	13-80SW	Pinion Gear	45.00	95	95-80	Click Bushing	1.90
15	15-130	Dog	.85	101	101-30	Drive Plate Screw (14)	.40
16	16-80S	Dog Plate Screw	.40	110	110-50	Handle Locking Screw	.45
16H	16H-130	Hidden Bridge Screws (2)	.45	110A	110A-50	Handle Locking Plate	1.05
18	18-349	Plunger Spring	.35	112	112-50	Eccentric Lever Knob	13.95
18A	95A-20	Click Bushing Washer	.50	112A	112A-50	Eccentric Knob Screw	.75
18B	18-80W	Disc Clutch Springs (4)	.85	113	113-50	Eccentric Lever Cap	4.20
19	19-80	Eccentric Cam	7.30	117	117-80S	Outer Drive Plate	20.95
21	21-80S	Eccentric Cam Lever	7.30	117A	117A-80	Inner Drive Plate	13.50
22	22-109	Hold Down Screw	.45	118	118-80S	Main Gear Plate Screw	.45
22A	63-349	Retaining Screw	.70	119	119-50	Main Gear Plate	.95
23	23-80S	Handle Screw	3.00	123	123-50	Drag Cover Screw	.40
24	24-80	Handle	13.25	124	124-80S	Bridge Cover	9.25
27	27-80S	Left Side Plate	98.00	131	131-80S	Conical Spring	.70
29	29L-80S	Spool	119.00	133	133-80S	Left Side Cover Plate	9.05
	29L-80SW	Spool	132.00	134	134-80S	Gear Stud	21.80
30	30-80S	Stand	27.80	141	141-80	Cam Follower	5.70
31	31-20	Quadrant Screw	.40	142	142-80	Cam Follower Pins (2)	.45
33R	33R-116	Ringed Rod Clamp	13.25	142A	142-50	Pins (2)	.45
34	34-80T	Rod Clamp Screw	3.00	143	143-80	Adjusting Screw	2.45
35	35-80T	Click Tongue	1.05	144	144-50	Pre-Set Knob	5.90
36A	36-700	Click Tongue Nut	.70	152A	152A-80T	Rod Clamp Acorn Nut	1.05
36	36-50	Click Button	2.00	156	156-80S	Drag Cover	4.80
38	38-50	Frame Screws (11)	.45	157	157-50	Quadrant Bushing	.45
38A	38-710	Click Bushing Nut	.45	161	161-50	Locating Pin Bushing	.95
39	39-50	Quadrant Screw (Long) (1)	.85	162	162-50	Locating Pin Springs (2)	.40
39A	39A-80S	Cover Screws (2)	.40	171	171-80SW	Plunger	2.50
39B	39-80S	Cover Screw (Long) (1)	.40	*172	172-50S	Plunger Cap	2.00
41	41-50	Left-Side Bearing Spring	.70	173	173-80S	Gear Retainer	1.05
49	49-710	Dog Spring	.40	183	183-80S	Tube Frame	113.00
50	50-80S	Gear Stud Cover	1.30		183-80SW	Tube Frame	127.00
54A	54A-80S	Top Harness Lugs (2)	3.45	193	193-80S	Lock Nut	2.15
54B	54B-80S	Bottom Harness Lugs (2)	3.45	264	264-80T	Stand Gasket	1.60
55	55-80	Ball Bearing	18.00				